



Besam Curved Sliding Door CMD

The impressive and functional entrance

Besam CMD sliding door makes it possible to design the entrance in three dimensions, with depth in addition to the normal width and height. This gives the entrance an elegant and decorative appearance whilst it remains extremely functional.

The Besam CMD curved sliding door system (bi-parting with two leaves) can be tailored to meet different customer requirements within the stated parameters.

A curved sliding door gives a wider opening than a flat sliding door and at the same time provides an impressive and enticing entrance.

The discreet form and compact dimensions allow the CMD to be a part of the architectural design.

The Besam CMD, like all Besam door systems, is designed with regard to place the safety of the user as of the highest importance.

Self-monitoring

The operator microprocessor has an integral self-monitoring device which detects any interference or faulty signals in door operation and takes necessary measures to ensure a safe operation.

Design

The drive unit, control unit, transmission – and optional emergency unit and electromechanical locking device – are all assembled in a compact drive module. The drive unit transmits movement to the door leaves by means of a tooth belt. The drive module is mounted inside a

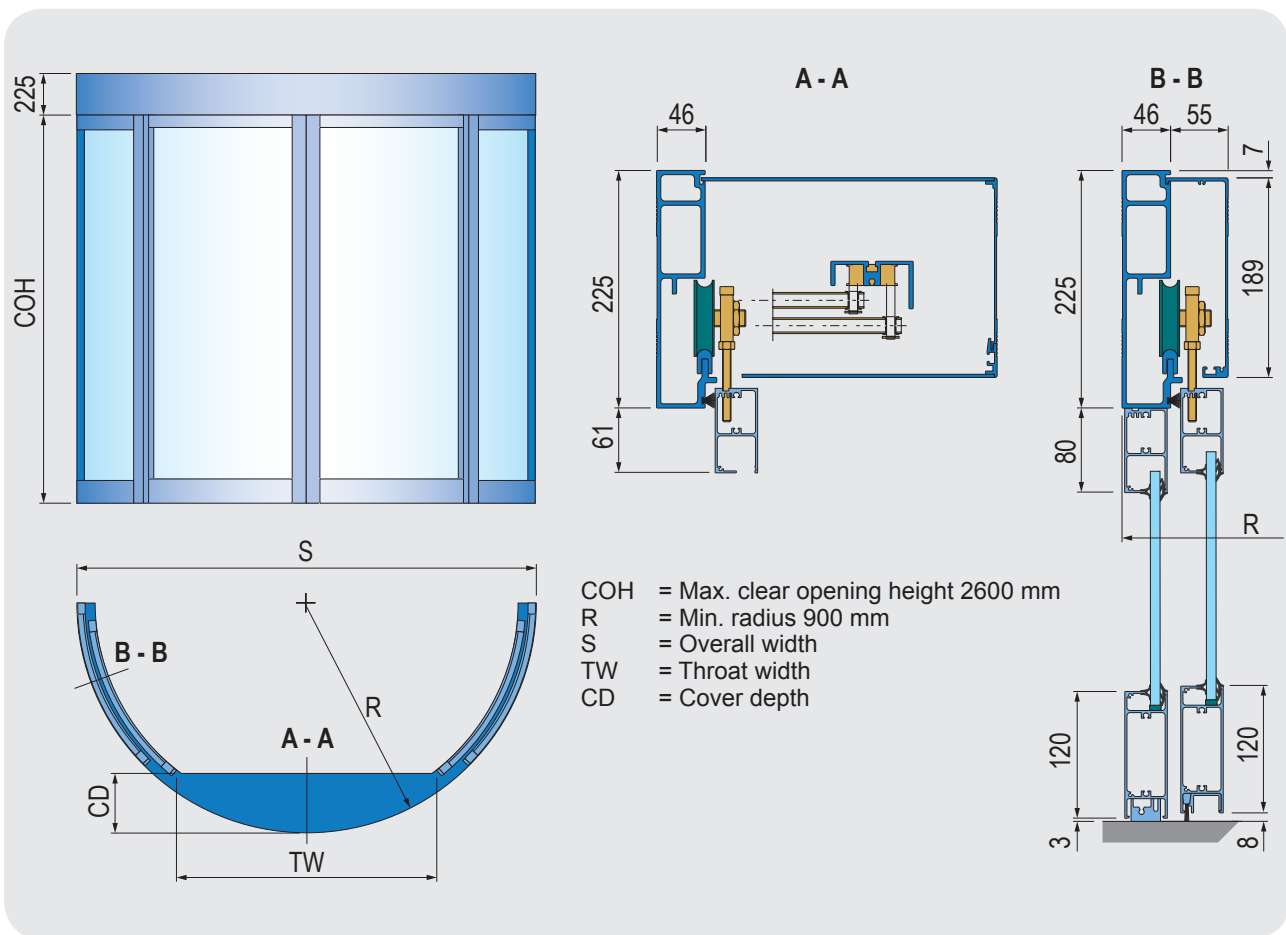
support beam and can be equipped with integrated cover.

The door leaves can be adjusted height-, length- and depth-wise. Plastic rollers and a sliding track made of aluminium give exceptionally smooth and silent operation.

Besam CMD can be delivered as operator only (UniSlide C) or complete with covers, door leaves and fixed screens. It is available with external or internal doors.

Emergency

Besam CMD can either be combined with a mechanical emergency unit that automatically opens the doors – or an electronic emergency unit that automatically opens or closes the doors – in the event of a power failure. The CMD can also be interfaced with fire alarms or smoke detectors.



Technical Data Besam CMD

Standard equipment

- Operator including
 - Drive unit with transmission
 - Electronic control unit with plug-in connections and power supply
 - Traffic-controlled opening width
 - Synchronizing of two operators
- Door leaves made from aluminium profiles
- Outer walls made from aluminium profiles
- Glass: 4+4 mm clear laminated
Other types available
- Presence detection safety sensor placed vertically and flush mounted above the entrance

Accessories and Options

- Surface treatment
 - Clear anodized aluminium (other

- anodizing optional
- Paint finished in colour RAL 9010 (paint finishes according to RAL chart optional)
- Door adaptor for doors made by others
- Programme selectors
- Electronic emergency opening or closing unit
- Mechanical emergency opening unit
- Emergency button
- Besam approach and presence sensors
- Electromechanical locking device
- Interlocking between two operators
- Key switch
- Mechanical lock (on door leaves)

- Ceiling (internal door operators only)
- Dust protection roof
- Water resisting cover
- Spotlights

Technical specifications

- Power supply: 120 V AC -10 % to 240 V AC +10 %; 50/60 Hz
- Power consumption: max. 250 W
- Recommended max. door weight: 100 kg/door leaf
- Opening and closing speed: variable up to 1.4 m/s
- Hold open time: 0 – 60 s
- Ambient temperature: -20°C to +50°C
- Relative humidity (non-condensing): 5 % to 85 %

Besam Export AB, Box 669, SE-261 25 Landskrona, Sweden
 Tel: +46 418 514 00 Fax: +46 418 513 55
 export@besam.se • www.besam.com